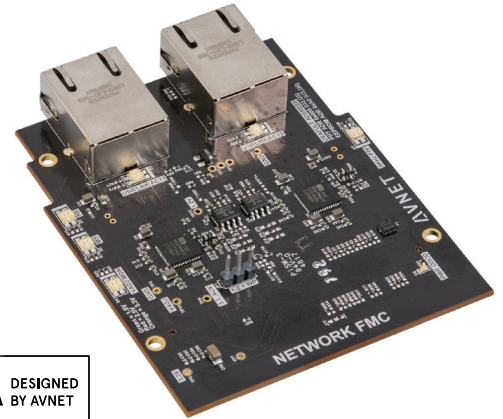


The Avnet Network FMC Module enables Industrial Ethernet digital communications, which is a key component to Industry 4.0 applications. The module is designed to operate with any Avnet or Xilinx base board that is FMC enabled. Utilizing the dual compatible 10/100/1000 Ethernet PHYs, the Network FMC Module can quickly get you started with Xilinx FPGA and SoC based designs.

FEATURES

- FMC LPC single-width module
- Dual RGMII 10/100/1000 Ethernet PHY
- Dual Ethernet MAC ID EEPROM
- IPMI EEPROM
- Bi-Color Status LEDs
- 3.3V - 1.8V IO Voltage compatibility

To purchase this kit, visit <http://avnet.me/fmc-network1>



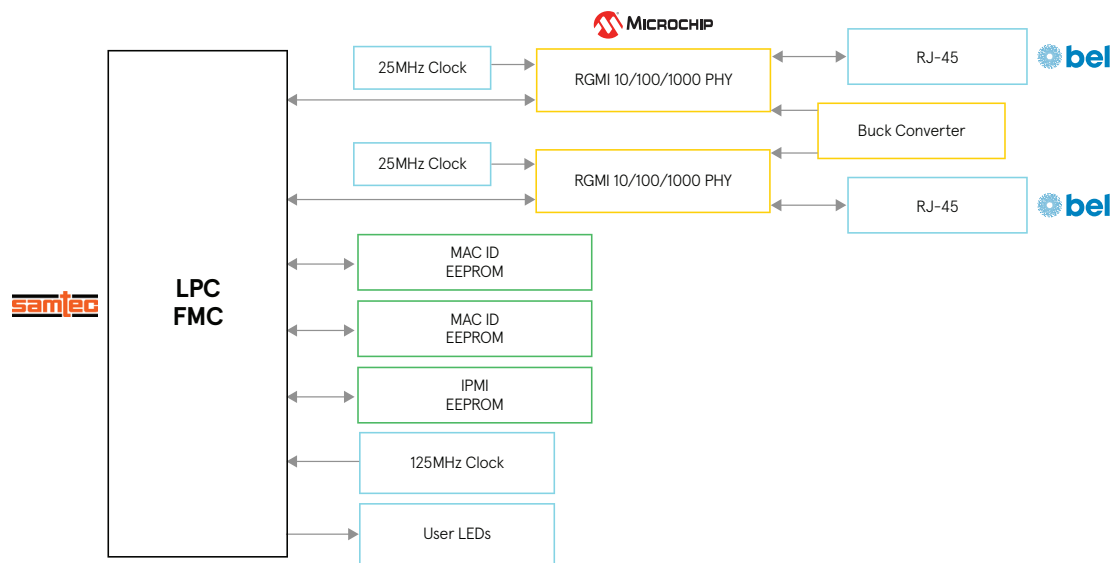
KIT INCLUDES

- Network FMC Module
- Downloadable Schematics, BOM, and User Guide

TARGET APPLICATIONS

- Industrial Ethernet
- Gigabit Ethernet Switch
- Industrial IoT Gateway
- Hardware Accelerated Router
- Traffic Monitoring
- Time-Sensitive Networking (TSN) Real-Time

BLOCK DIAGRAM



FEATURED MANUFACTURERS



PARTS

| Part Number | Description | Resale |
|-----------------|------------------------------------|----------|
| AES-FMC-NETW1-G | Dual Gigabit Networking FMC Module | \$149.00 |

RELATED PARTS

| Part Number | Description | Resale |
|---------------------|-----------------------------------|----------|
| AES-ZU3EG-1-SOM-G | UltraZed-EG SOM (Extended Temp) | \$485.00 |
| AES-ZU3EG-1-SOM-I-G | UltraZed-EG SOM (Industrial Temp) | \$535.00 |
| AES-ZU-IOCC-G | UltraZed IO Carrier Card | \$499.00 |

Countries Available for Purchase: Americas, EMEA, Asia, Japan

CONTACT INFORMATION

North America
2211 S 47th Street
Phoenix, Arizona 85034
United States of America
eval.kits@avnet.com
1-800-585-1602

Europe
Gruber Str. 60c
85586 Poing
Germany
marketing@silica.com
+49-8121-77702

Europe (EBV)
Im Technologypark 2-8
85586 Poing
Germany
<http://ebv.com/contact>

Japan
Yebisu Garden Place Tower, 23F
4-20-3 Ebisu, Shibuya-ku
Tokyo 150-6023 Japan
eval-kits-jp@avnet.com
+81-(0)3-5792-8210

Asia
151 Lorong Chuan
#06-03 New Tech Park
Singapore 556741
XilinxAPAC@avnet.com
+65-6580-6000