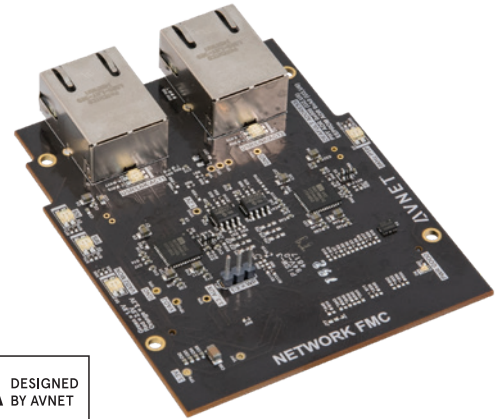


The Avnet Network FMC Module enables Industrial Ethernet digital communications, which is a key component to Industry 4.0 applications. The module is designed to operate with any Avnet or Xilinx base board that is FMC enabled. Utilizing the dual compatible 10/100/1000 Ethernet PHYs, the Network FMC Module can quickly get you started with Xilinx FPGA and SoC based designs.

FEATURES

- FMC LPC single-width module
- Dual RGMII 10/100/1000 Ethernet PHY
- Dual Ethernet MAC ID EEPROM
- IPMI EEPROM
- Bi-Color Status LEDs
- 3.3V - 1.8V IO Voltage compatibility

To purchase this kit, visit <http://avnet.me/fmc-network1>



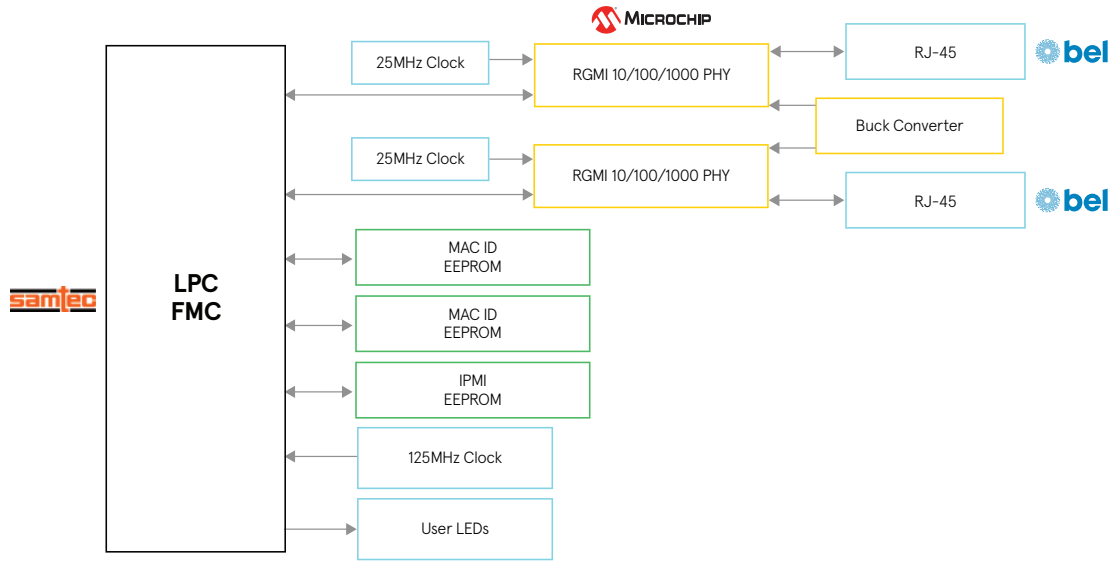
KIT INCLUDES

- Network FMC Module
- Downloadable Schematics, BOM, and User Guide

TARGET APPLICATIONS

- Industrial Ethernet
- Gigabit Ethernet Switch
- Industrial IoT Gateway
- Hardware Accelerated Router
- Traffic Monitoring
- Time-Sensitive Networking (TSN) Real-Time

BLOCK DIAGRAM



FEATURED MANUFACTURERS



PARTS

Part Number	Description	Resale
AES-FMC-NETW1-G	Dual Gigabit Networking FMC Module	\$149 USD

RELATED PARTS

Part Number	Description	Resale
AES-ZU3EG-1-SOM-G	UltraZed-EG SOM (Extended Temp)	\$485 USD
AES-ZU3EG-1-SOM-I-G	UltraZed-EG SOM (Industrial Temp)	\$535 USD
AES-ZU-PCIECC-G	UltraZed PCIe Carrier Card	\$499 USD

Countries Available for Purchase: Americas, EMEA, Asia, Japan

CONTACT INFORMATION

North America
 2211 S 47th Street
 Phoenix, Arizona 85034
 United States of America
 eval.kits@avnet.com
 1-800-585-1602

Europe
 Gruber Str. 60c
 85586 Poing
 Germany
 marketing@silica.com
 +49-8121-77702

Europe (EBV)
 Im Technologypark 2-8
 85586 Poing
 Germany
<http://ebv.com/contact>

Japan
 Yebisu Garden Place Tower, 23F
 4-20-3 Ebisu, Shibuya-ku
 Tokyo 150-6023 Japan
 eval-kits-jp@avnet.com
 +81-(0)3-5792-8210

Asia
 151 Lorong Chuan
 #06-03 New Tech Park
 Singapore 556741
 XilinxAPAC@avnet.com
 +65-6580-6000