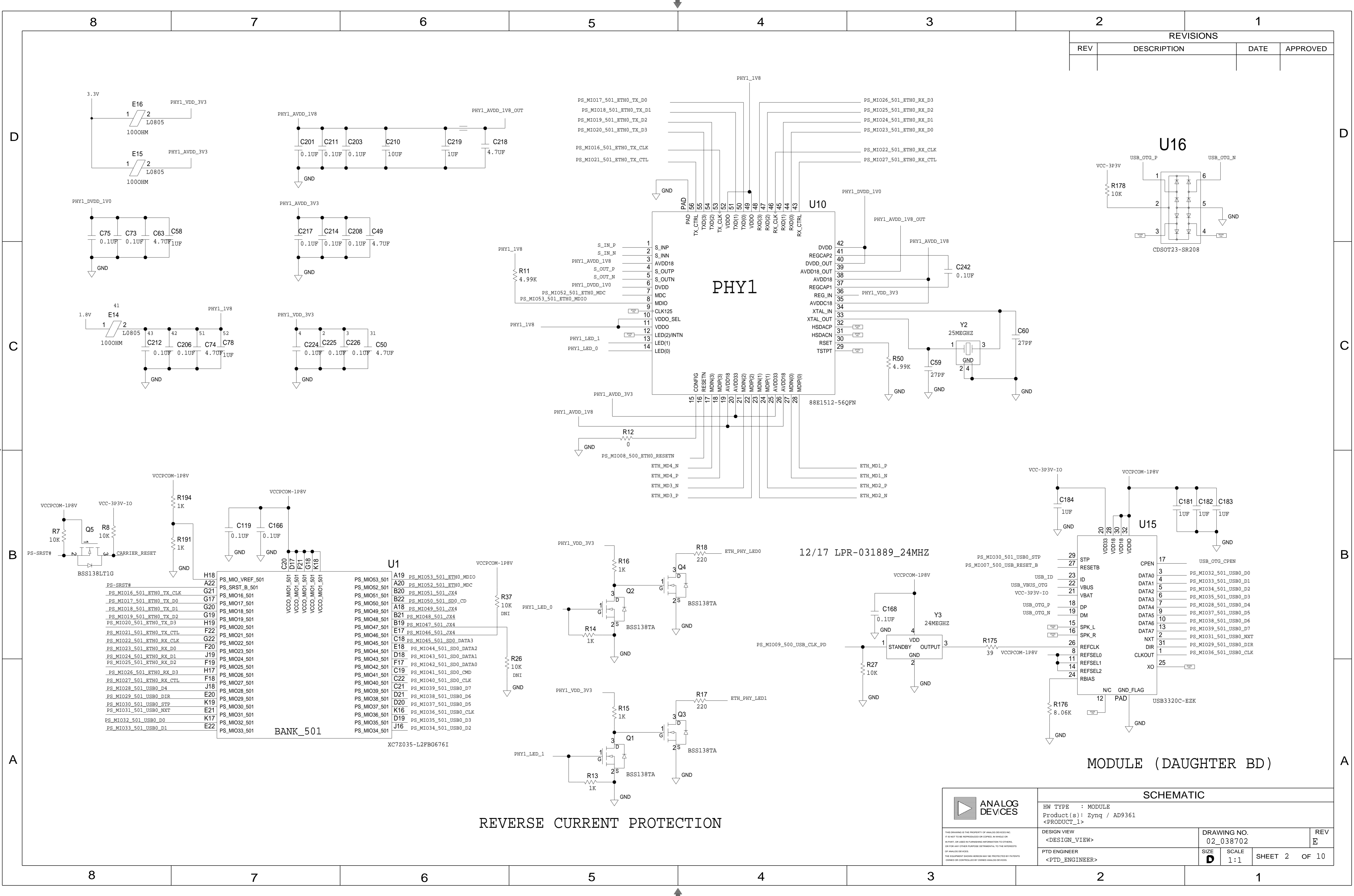




REVISIONS			
REV	DESCRIPTION	DATE	APPROVED



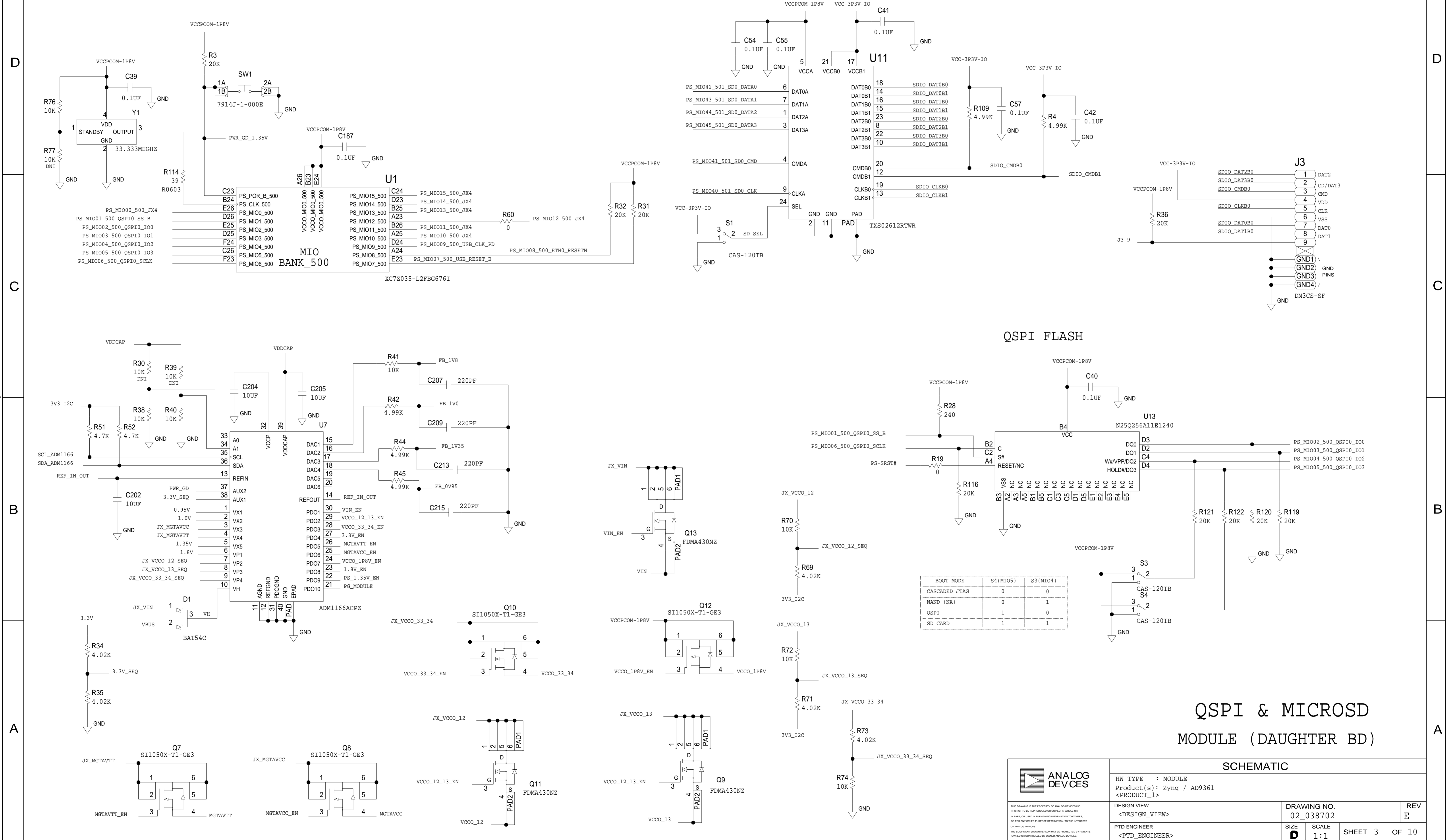
MODULE (DAUGHTER BD)

REVERSE CURRENT PROTECTION

SCHEMATIC			
		HW TYPE : MODULE Product(s) : Zynq / AD9361 <PRODUCT_1>	
DESIGN VIEW	<DESIGN_VIEW>	DRAWING NO.	02_038702
PTD ENGINEER	<PTD_ENGINEER>	REV	E
SIZE	D	SCALE	1:1
SHEET 2		OF 10	

THIS DRAWING IS THE PROPERTY OF ANALOG DEVICES INC. IT IS NOT TO BE REPRODUCED OR COPIED, IN WHOLE OR IN PART, OR USED IN ANY MANNER THAT IS DETRIMENTAL TO THE INTERESTS OF ANALOG DEVICES. THE EQUIPMENT SHOWN HEREIN MAY BE PROTECTED BY PATENTS OWNED OR CONTROLLED BY ANALOG DEVICES.

REVISIONS			
REV	DESCRIPTION	DATE	APPROVED



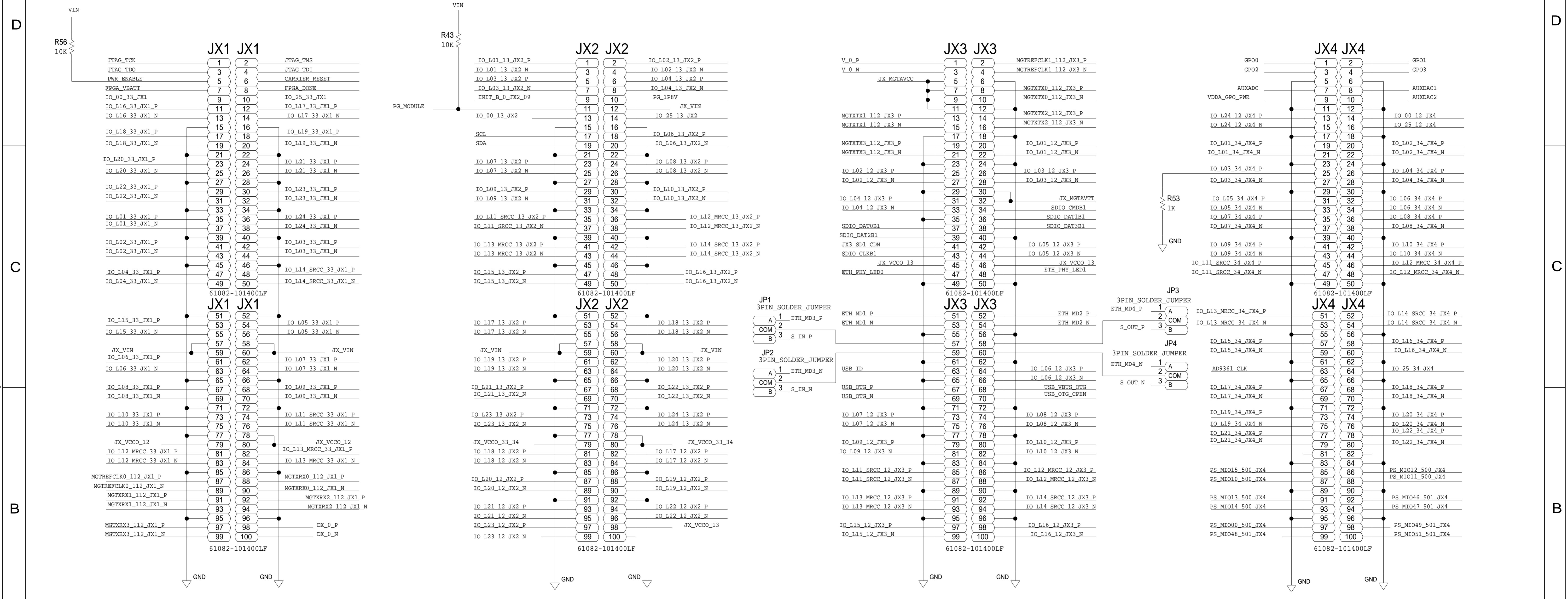
**QSPI FLASH**

	S4 (MIO5)	S3 (MIO4)
CASCADDED JTAG	0	0
NAND (NA)	0	1
QSPI	1	0
SD CARD	1	1

**QSPI & MICROSD  
MODULE (DAUGHTER BD)**

	<b>SCHEMATIC</b>		
	HW TYPE : MODULE Product(s): Zynq / AD9361 <PRODUCT_1>		
DESIGN VIEW <DESIGN_VIEW>	DRAWING NO. 02_038702	REV E	
PTD ENGINEER <PTD_ENGINEER>	SIZE D	SCALE 1:1	SHEET 3 OF 10

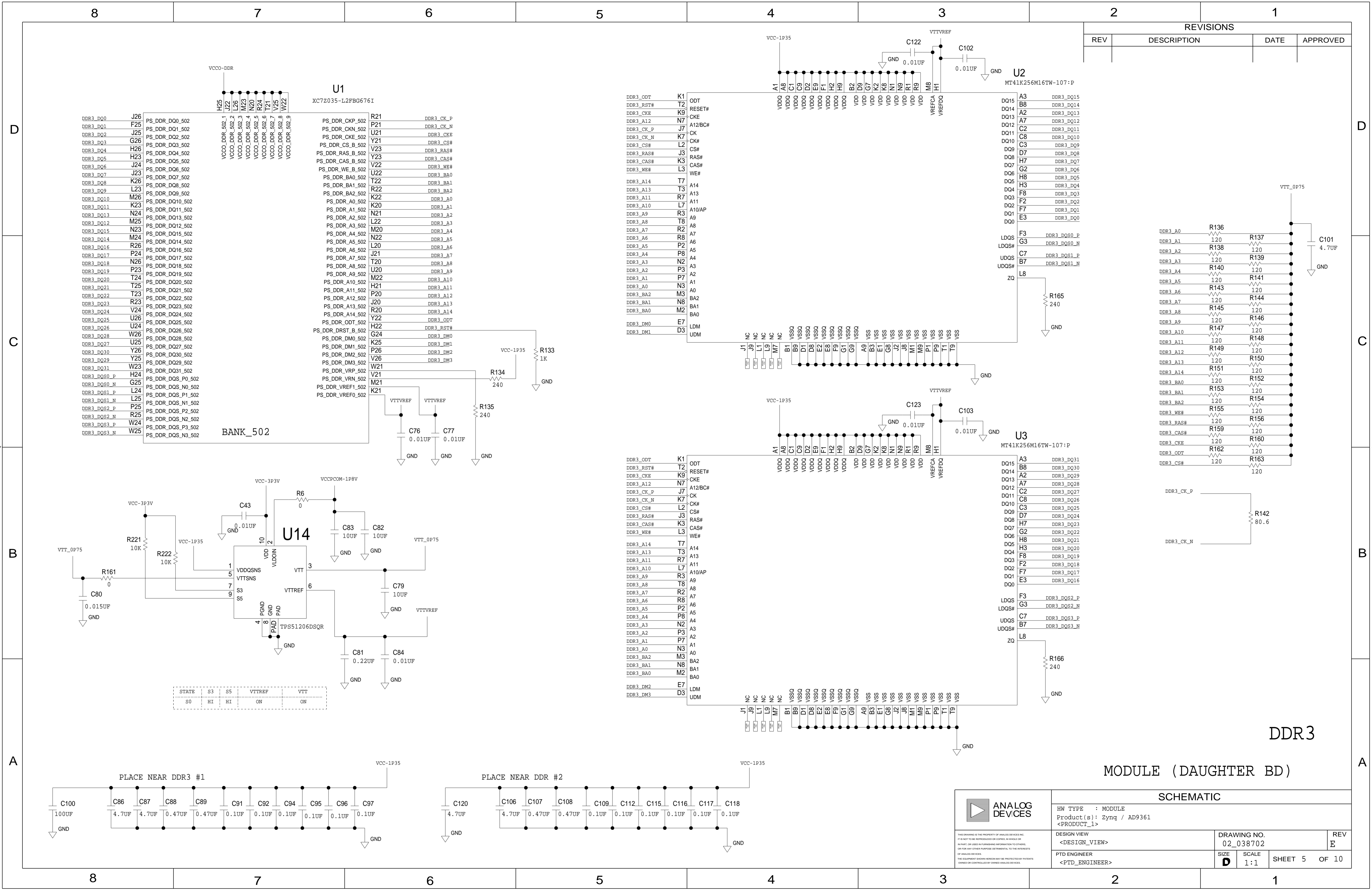
REVISIONS			
REV	DESCRIPTION	DATE	APPROVED



MODULE (DAUGHTER BD)

SCHEMATIC			
		HW TYPE : MODULE Product(s): Zynq / AD9361 <PRODUCT_1>	
DESIGN VIEW <DESIGN_VIEW>		DRAWING NO. 02_038702	
PTD ENGINEER <PTD_ENGINEER>		SIZE D	SCALE 1:1
		SHEET 4 OF 10	REV E

REVISIONS			
REV	DESCRIPTION	DATE	APPROVED



STATE	S3	S5	VTTREF	VTT
SO	HI	HI	ON	ON

PLACE NEAR DDR3 #1

C100	C86	C87	C88	C89	C91	C92	C94	C95	C96	C97
100UF	4.7UF	4.7UF	0.47UF	0.47UF	0.1UF	0.1UF	0.1UF	0.1UF	0.1UF	0.1UF

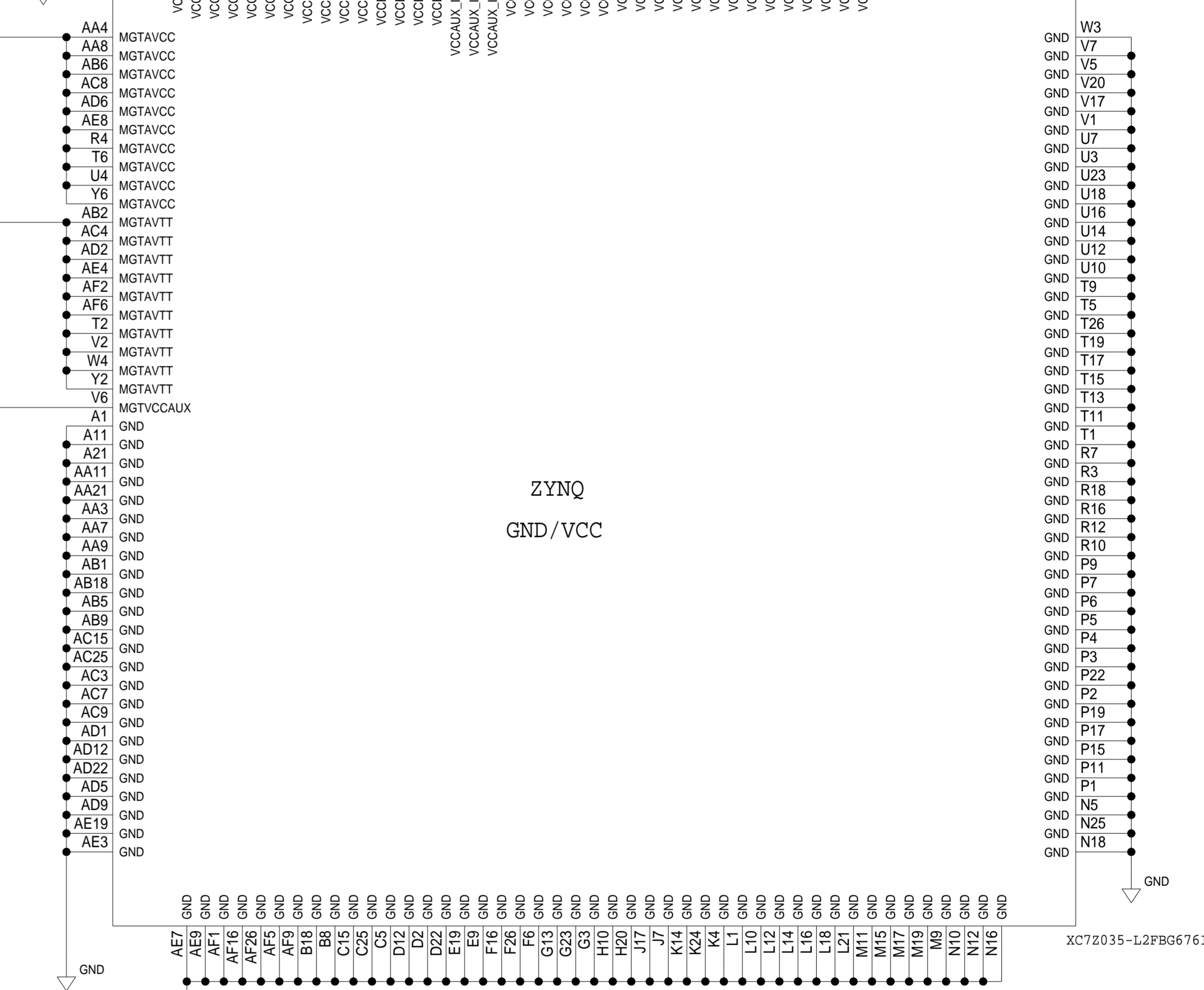
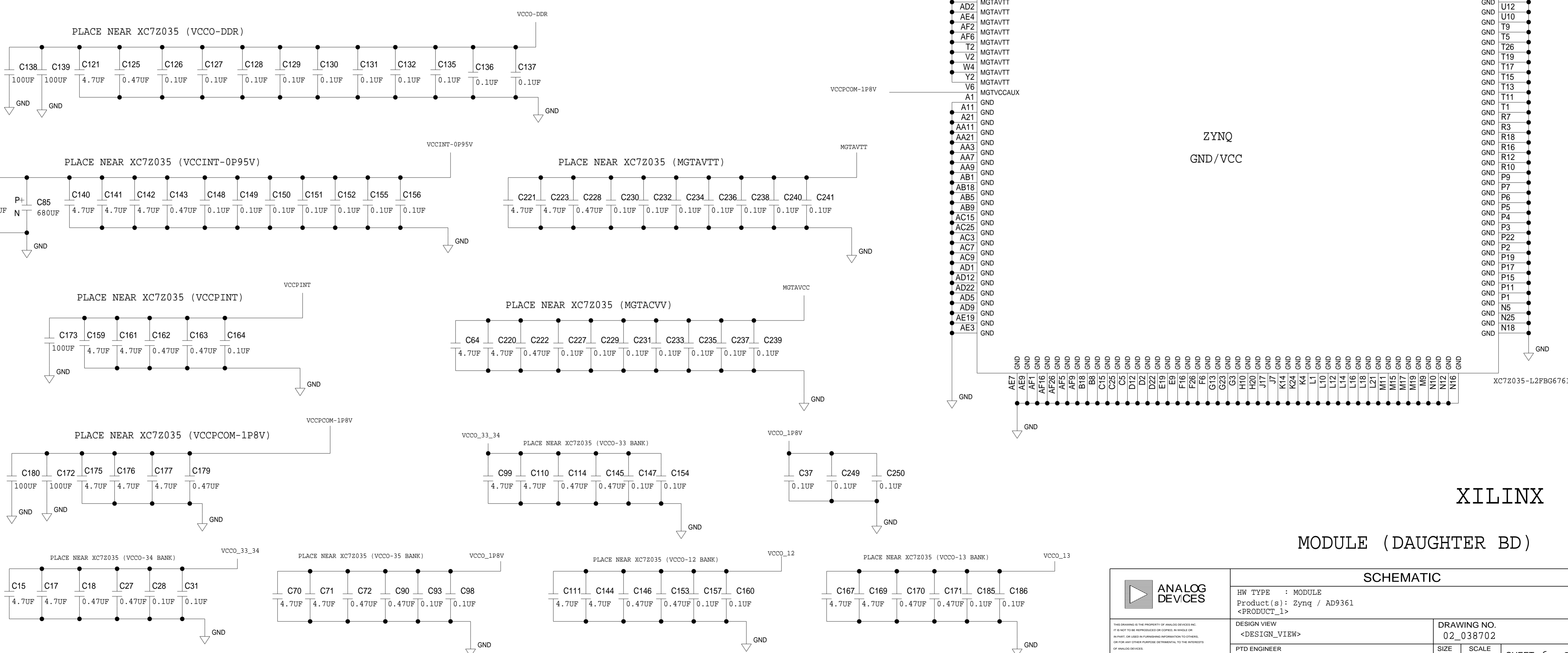
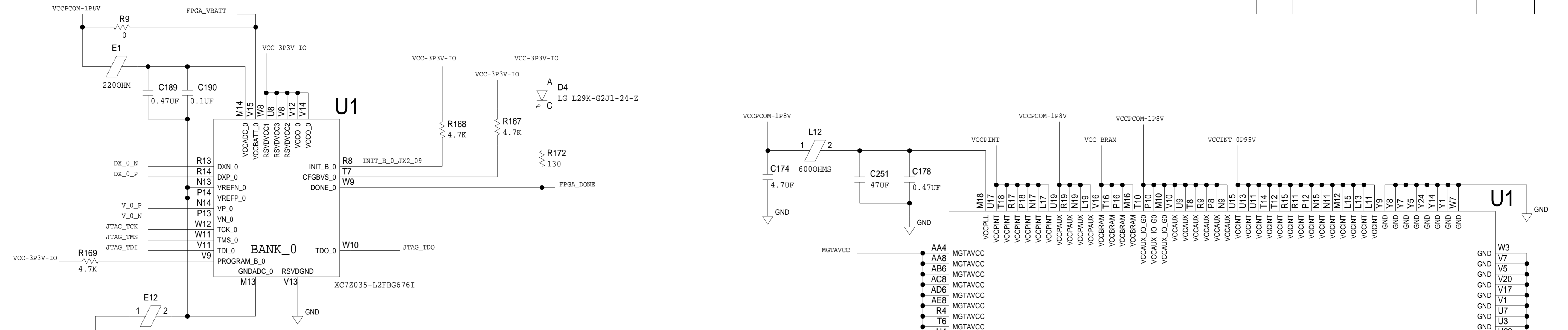
PLACE NEAR DDR #2

C120	C106	C107	C108	C109	C112	C115	C116	C117	C118
4.7UF	4.7UF	0.47UF	0.47UF	0.1UF	0.1UF	0.1UF	0.1UF	0.1UF	0.1UF

MODULE (DAUGHTER BD)

	SCHEMATIC		
	HW TYPE : MODULE Product(s) : Zynq / AD9361 <PRODUCT_1>		
	DESIGN VIEW <DESIGN_VIEW>	DRAWING NO. 02_038702	REV E
	PTD ENGINEER <PTD_ENGINEER>	SIZE D	SCALE 1:1
SHEET 5 OF 10		SHEET 5 OF 10	SHEET 5 OF 10

REVISIONS			
REV	DESCRIPTION	DATE	APPROVED



ZYNQ  
GND/VCC

XILINX

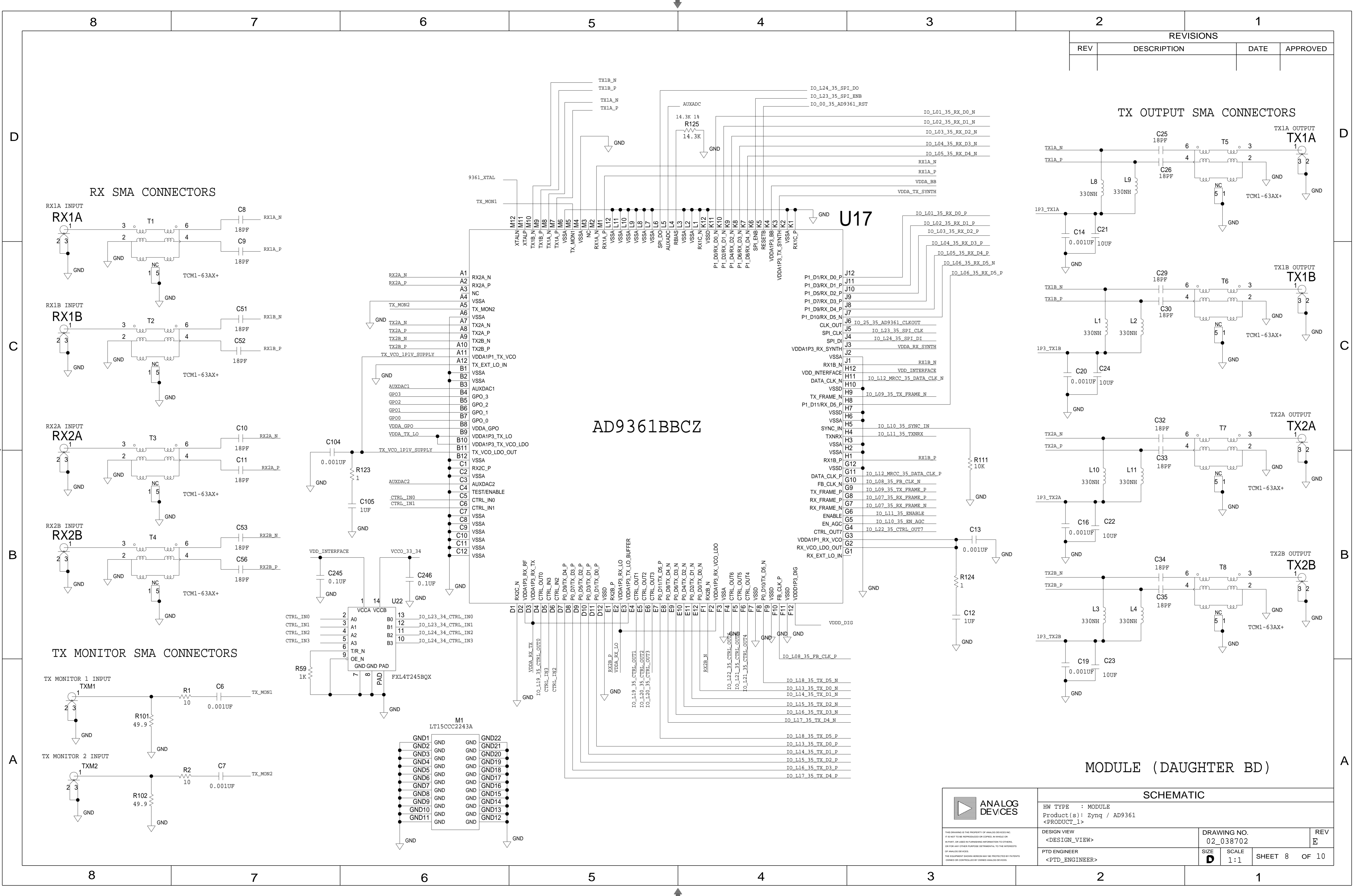
MODULE (DAUGHTER BD)

SCHEMATIC			
HW TYPE : MODULE		DRAWING NO. 02_038702	
Product(s): Zynq / AD9361		REV E	
<PRODUCT_1>		SIZE D	
DESIGN VIEW		SCALE 1:1	
<DESIGN_VIEW>		SHEET 6 OF 10	
PTD ENGINEER <PTD_ENGINEER>			

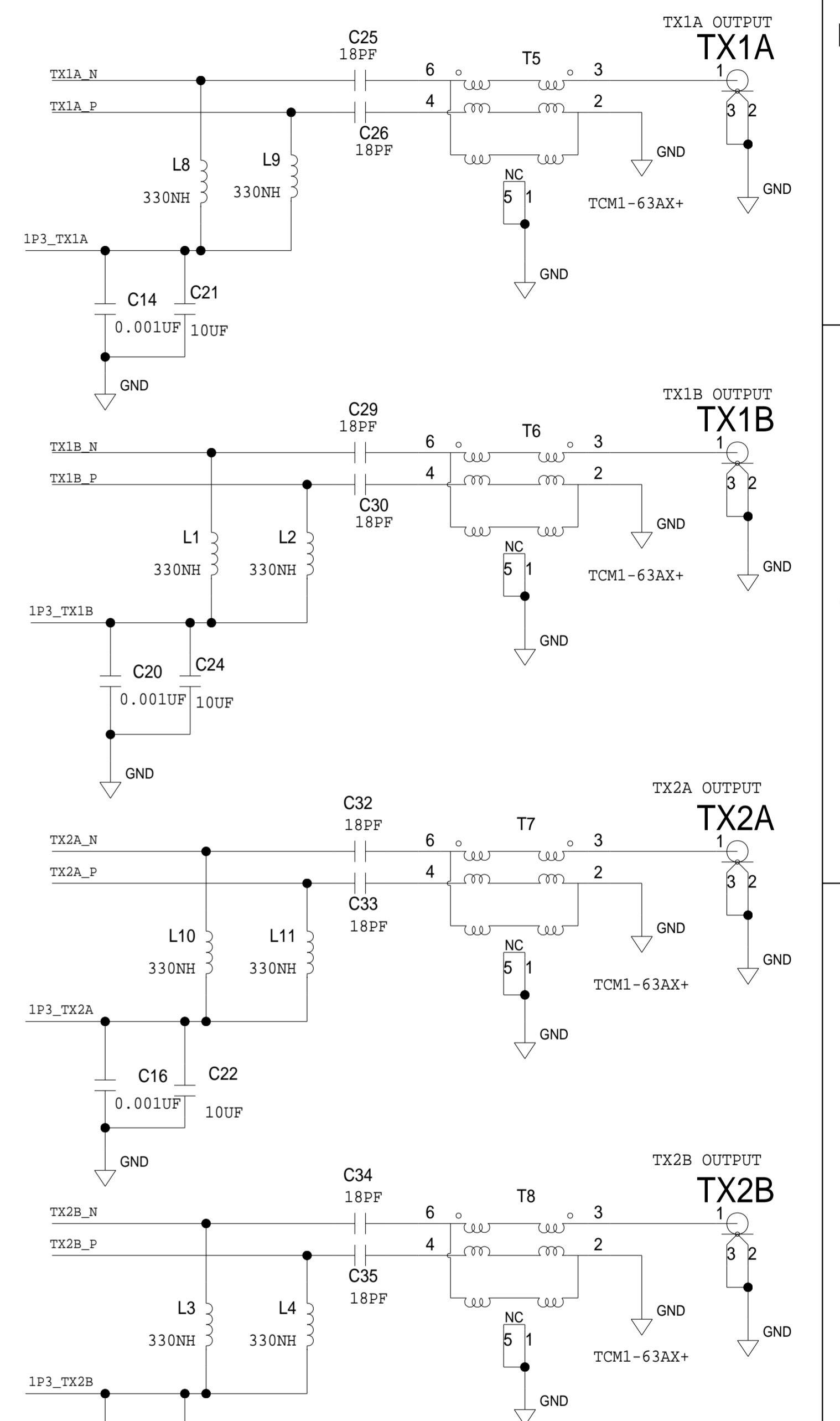
THIS DRAWING IS THE PROPERTY OF ANALOG DEVICES INC. IT IS NOT TO BE REPRODUCED OR COPIED IN WHOLE OR IN PART, OR USED IN ANY MANNER WITHOUT THE WRITTEN PERMISSION OF ANALOG DEVICES. THE EQUIPMENT SHOWN HEREIN MAY BE PROTECTED BY PATENTS OWNED OR CONTROLLED BY ANALOG DEVICES.



REVISIONS			
REV	DESCRIPTION	DATE	APPROVED



TX OUTPUT SMA CONNECTORS



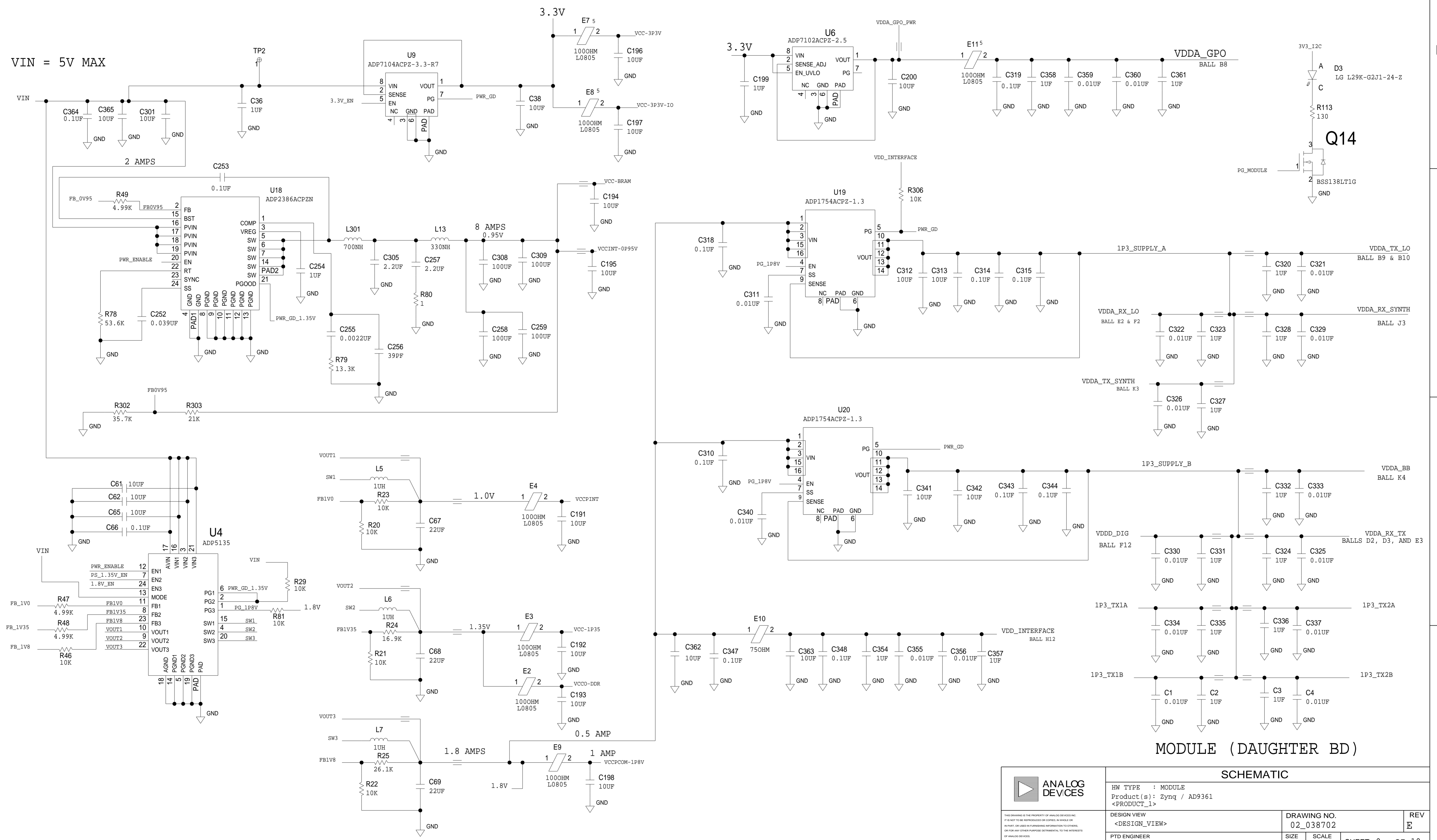
MODULE (DAUGHTER BD)

	<b>SCHEMATIC</b>		
	HW TYPE : MODULE Product(s) : Zynq / AD9361 <PRODUCT_1>		
	DESIGN VIEW <DESIGN_VIEW>	DRAWING NO. 02_038702	REV E
	PTD ENGINEER <PTD_ENGINEER>	SIZE D	SCALE 1:1
		SHEET 8 OF 10	



# POWER MANAGEMENT SECTION

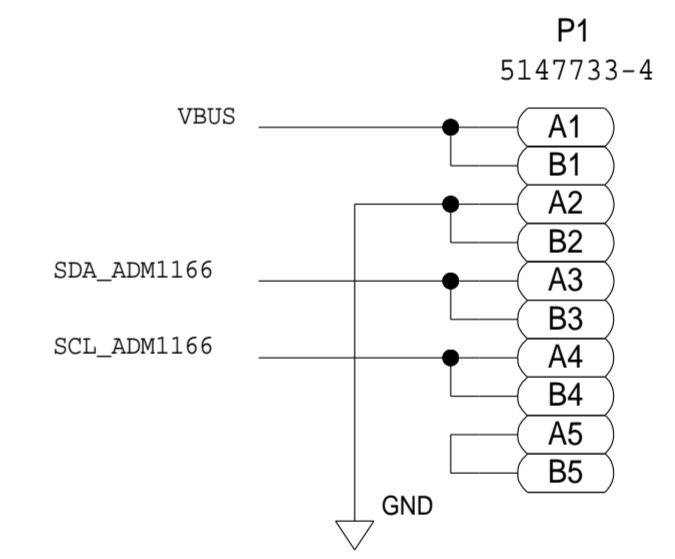
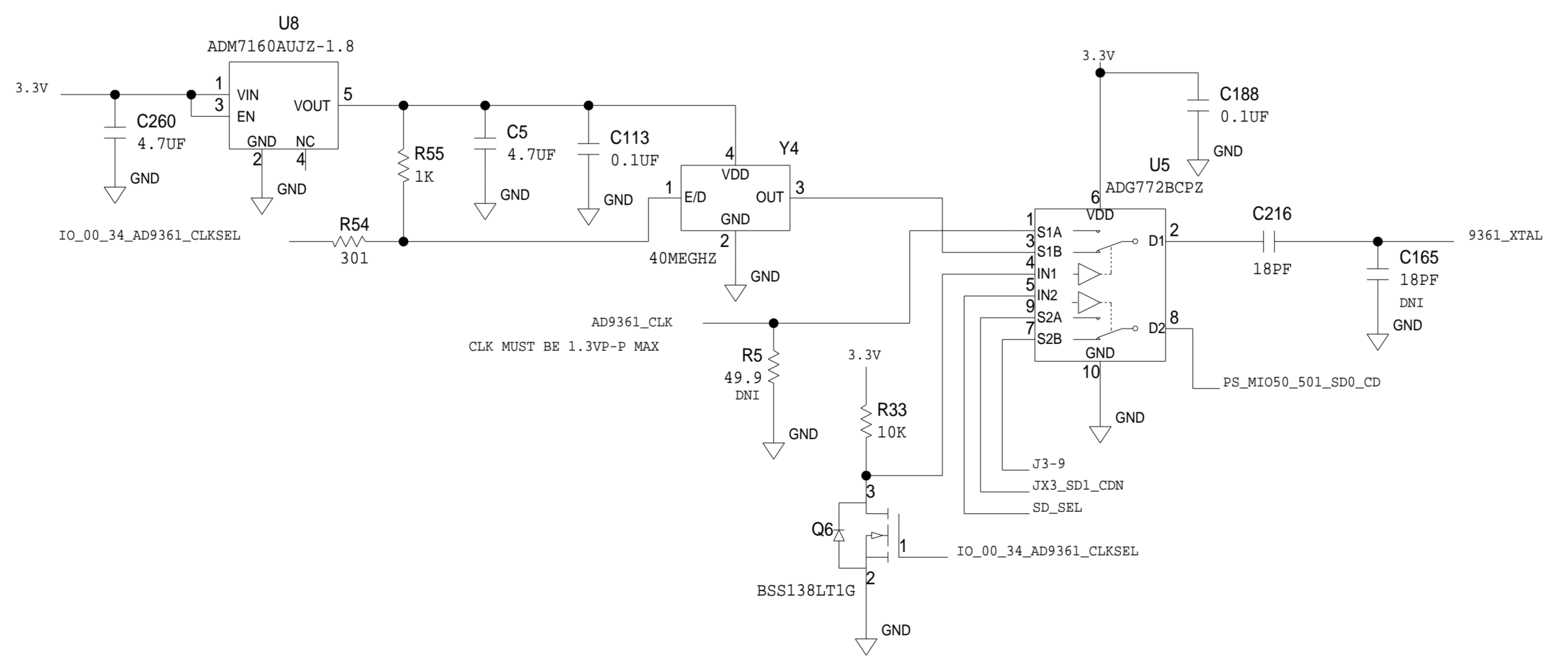
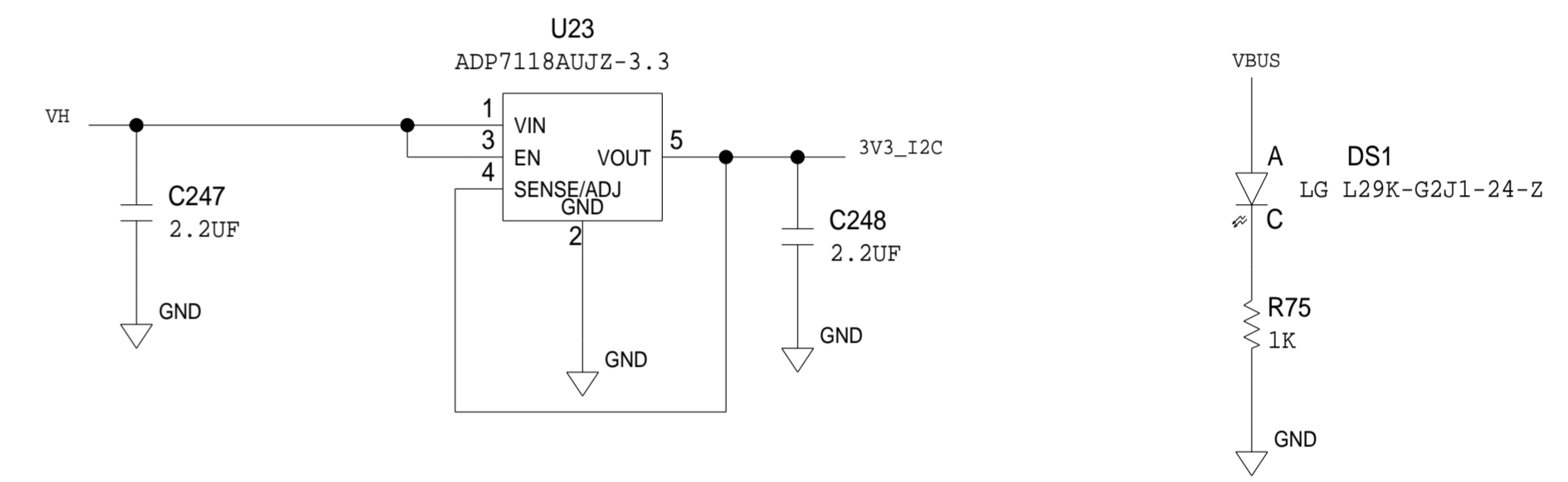
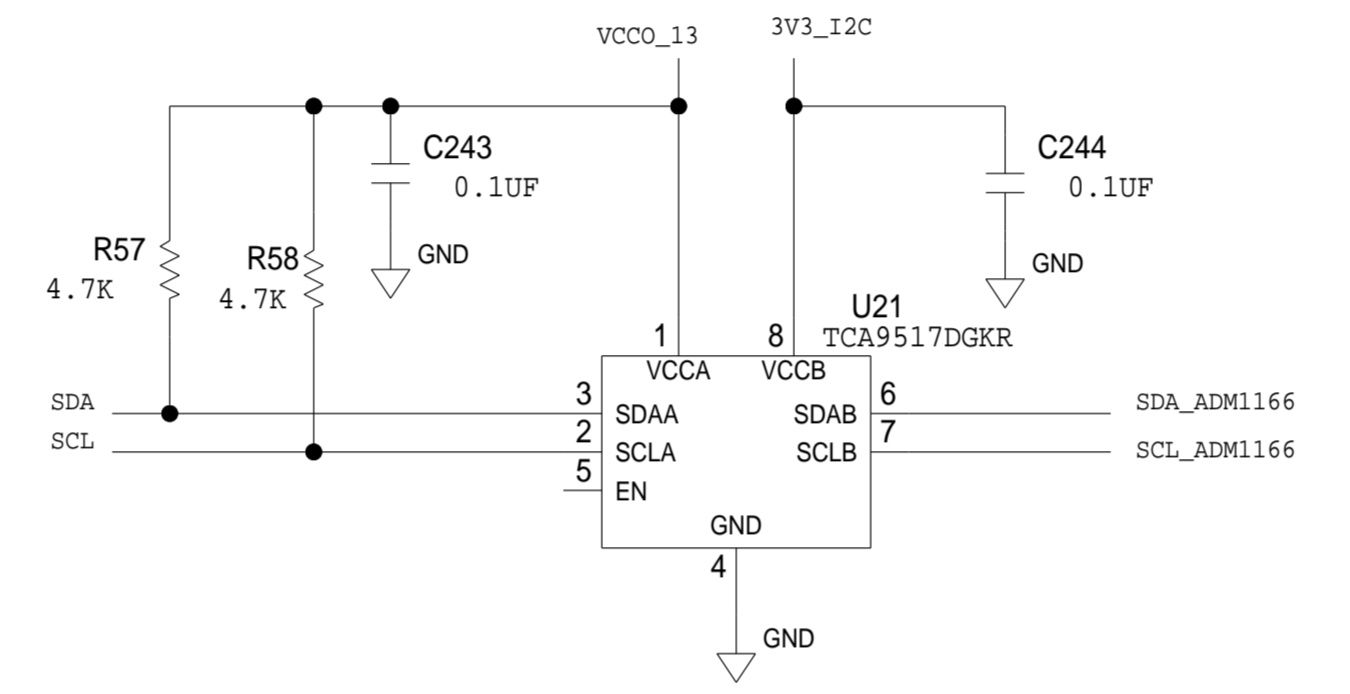
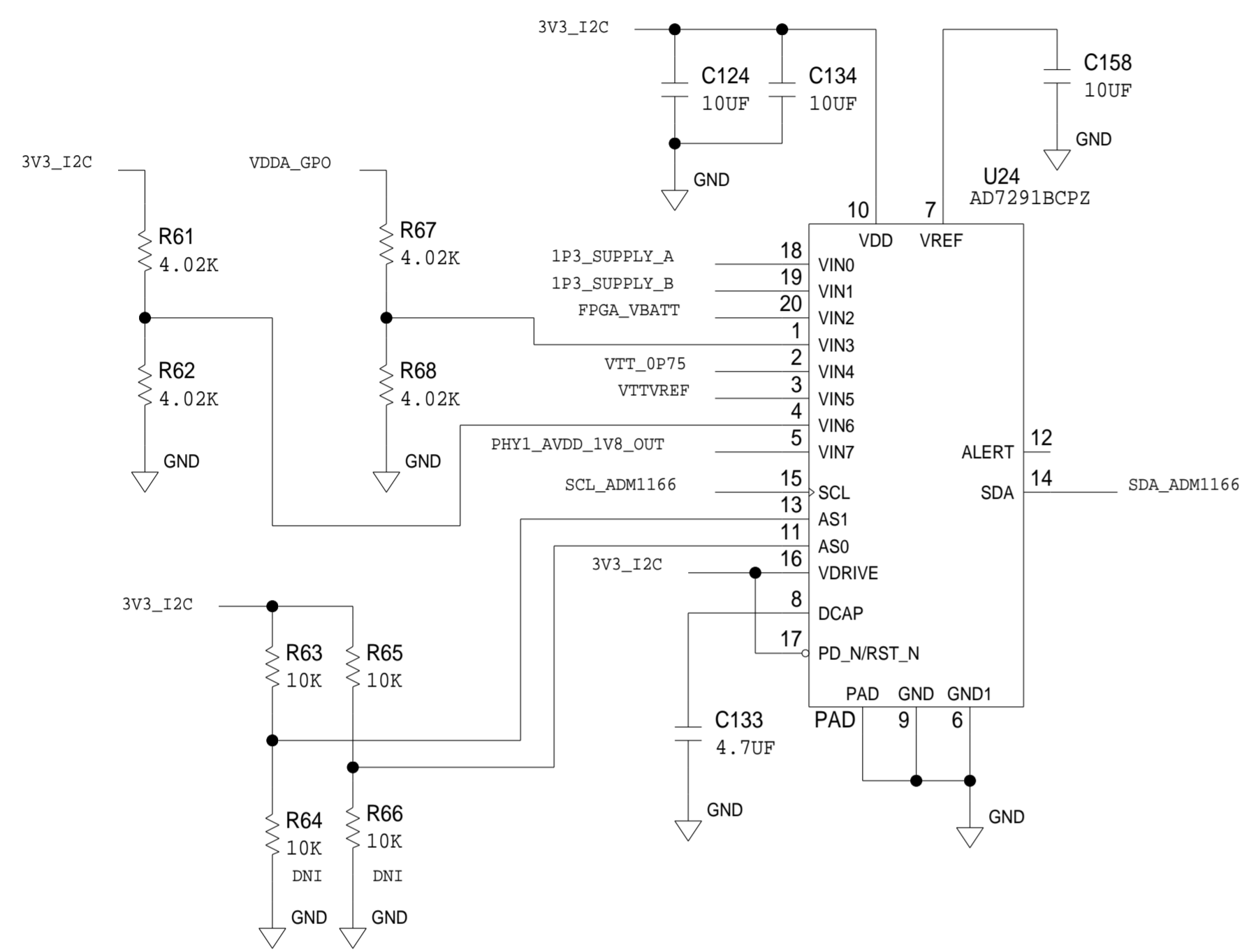
REVISIONS			
REV	DESCRIPTION	DATE	APPROVED



MODULE (DAUGHTER BD)

SCHEMATIC			
		HW TYPE : MODULE Product(s): Zynq / AD9361 <PRODUCT_1>	
DESIGN VIEW <DESIGN_VIEW>		DRAWING NO. 02_038702	
PTD ENGINEER <PTD_ENGINEER>		SIZE D	SCALE 1:1
		SHEET 9 OF 10	REV E

REVISIONS			
REV	DESCRIPTION	DATE	APPROVED



	<b>SCHEMATIC</b>		
	HW TYPE : MODULE Product(s): Zynq / AD9361 <PRODUCT_1>		
	DESIGN VIEW <DESIGN_VIEW>	DRAWING NO. 02_038702	REV E
	PTD ENGINEER <PTD_ENGINEER>	SIZE D	SCALE 1:1
		SHEET 10 OF 10	